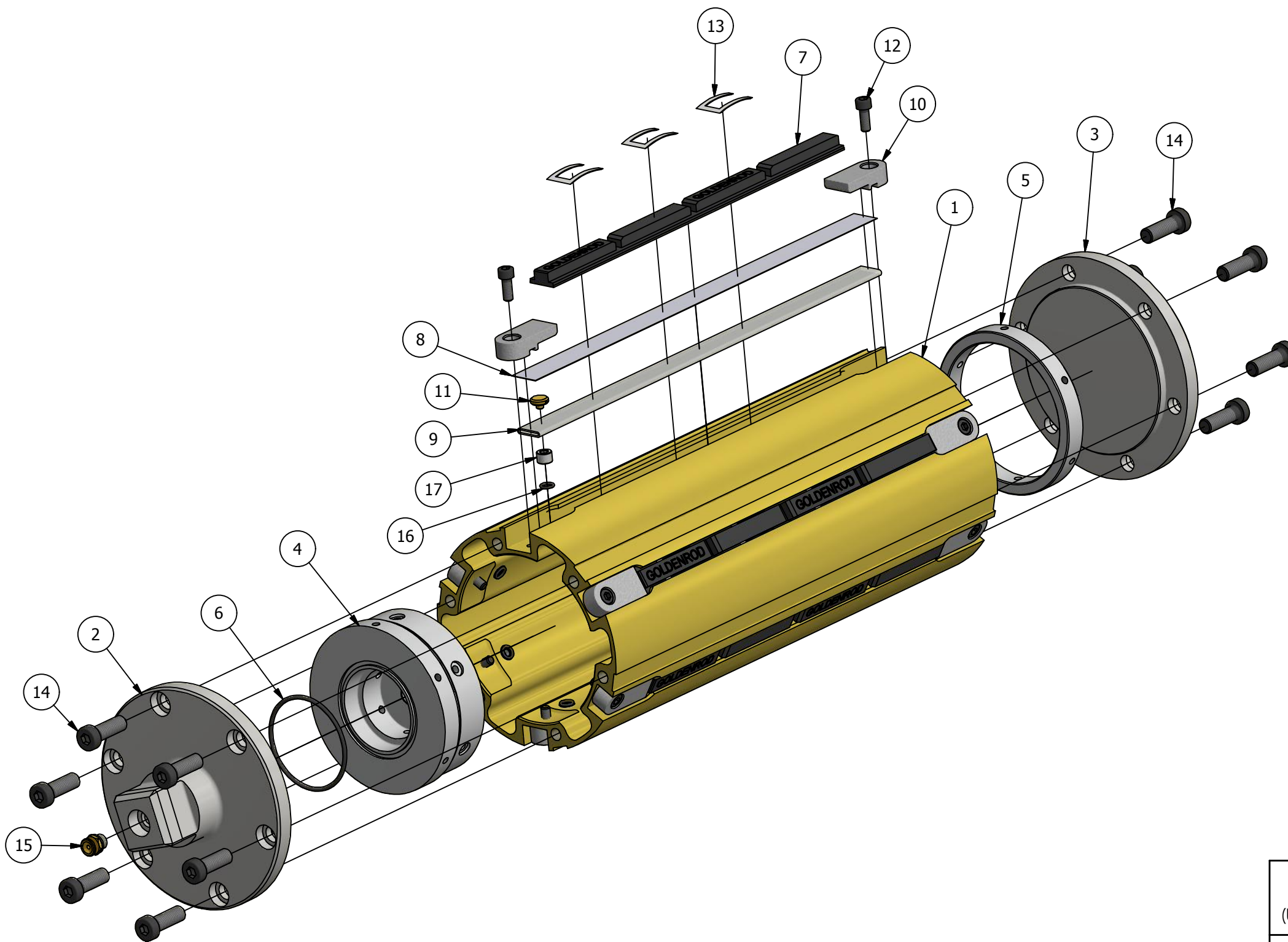


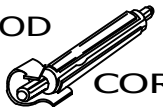
REVISIONS		
DATE	DESCRIPTION	APPV. BY

PARTIAL PARTS LIST			
ITEM	PART NUMBER	DESCRIPTION	QTY
1		6" EXTRUSION, BODY	1
2		JOURNAL - AIR	1
3		JOURNAL - NON-AIR	1
4	CUP-6-6-EXA-R3	AIR CUP	1
5	RING-6-6-R3	RING	1
6	2-142	O-RING	1
7	RL-20	RUBBER LEDGE	6
8	PL-20	PLASTIC LINER	6
9	UT-20	URETHANE BLADDER	6
10	CL-4520	CRIMPING LUG	12
11	BP-15	AIR CONNECTOR	6
12	SHCS M6x16	SOCKET HEAD CAP SCREW	12
13	DS-20	DEFLATION SPRING	18
14	LHCS M10x30	LOW HEAD CAP SCREW	12
15	AV-PD14-SCREEN	1/8" NPS SCREEN FOR PD-14 AIR VALVE	1
15	AV-PD14	AIR VALVE	1
16	2-010	O-RING	1
17	AB-7	AIR BUSHING	1



NOTES

THIS DRAWING IS THE PROPERTY OF GOLDENROD AND IS LOANED FOR INFORMATIONAL PURPOSES ONLY. THE DRAWING SHALL NOT BE COPIED, DUPLICATED, OR USED FOR MANUFACTURE OF THE ITEM REPRESENTED WITHOUT THE PERMISSION OF GOLDENROD CORPORATION.

GENERAL TOLERANCE (UNLESS OTHERWISE SPECIFIED)		GOLDENROD CORPORATION  25 LANCASTER DRIVE - BEACON FALLS, CT - TEL (203) 723-4400 FAX (203) 723-8230	
ALL .XX DIMS. $\pm .010$			
ALL .XXX DIMS. $\pm .005$		TITLE: 6" ULTRALIGHT MULTIBLADDER SHAFT - EXPLODED VIEW	
BREAK EDGES .015" - .030"		CUSTOMER: N/A	
CENTERS PERMISSIBLE ON ENDS		DRAWN BY: RCL	
REMOVE OIL AND FILINGS		CHK'D BY:	DATE: 12/28/2016
		DWG NO.: 1260-6in-UL	